



# WEET Technology Company Limited

## Single Phase Bridge Rectifiers

### GBJ15005 THRU GBJ1510

REVERSE VOLTAGE - 50 to 1000 Volts  
FORWARD CURRENT - 15 Amperes

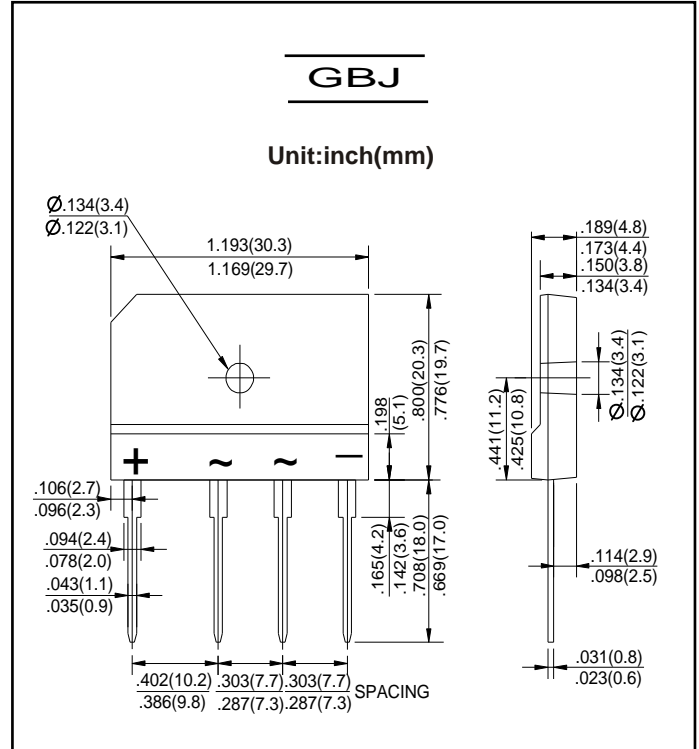
#### GLASS PASSIVATED BRIDGE RECTIFIERS

#### FEATURES

- Rating to 1000V PRV
- Ideal for printed circuit board
- Low forward voltage drop, high current capability.
- Reliable low cost construction utilizing molded plastic technique results in inexpensive product
- The plastic material has UL flammability classification 94V-0
- Electrically isolated base-1500 Volts

#### MECHANICAL DATA

- Case: Molded plastic body
- Polarity : Symbols molded on body
- Weight : 0.26 ounces, 7.0 grams
- Mounting position : Any

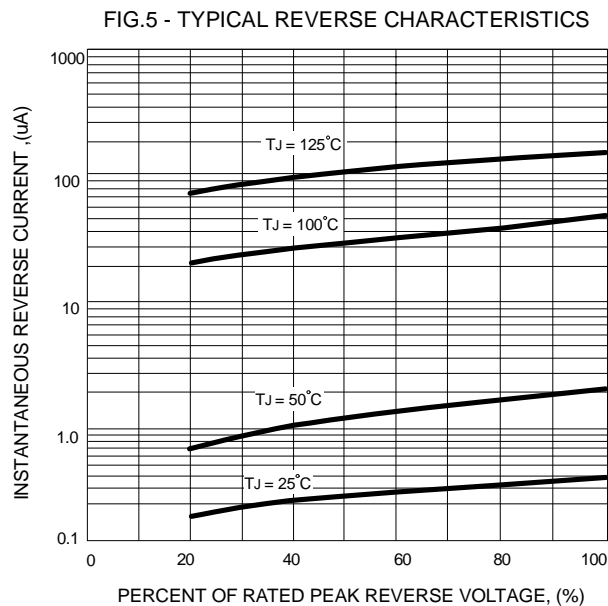
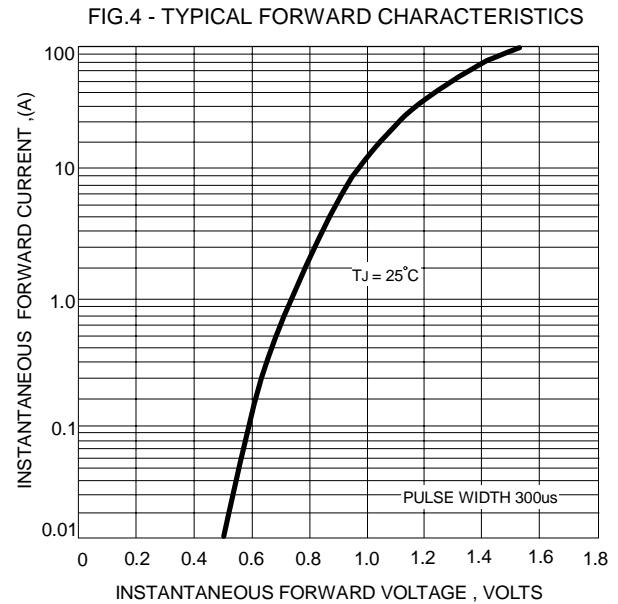
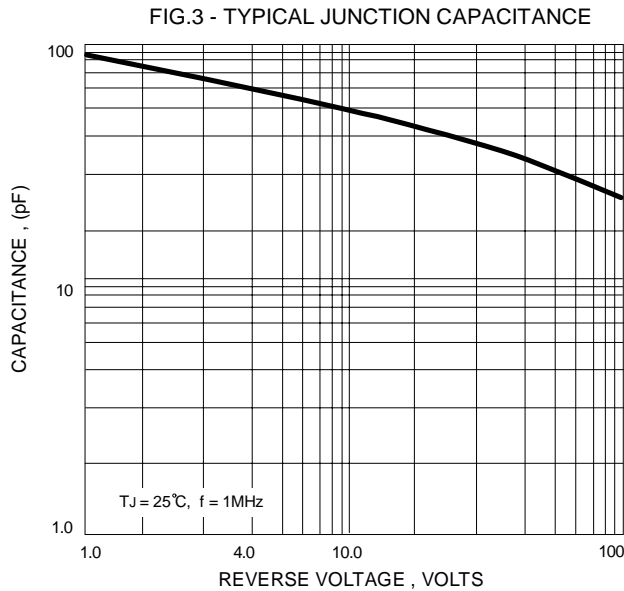
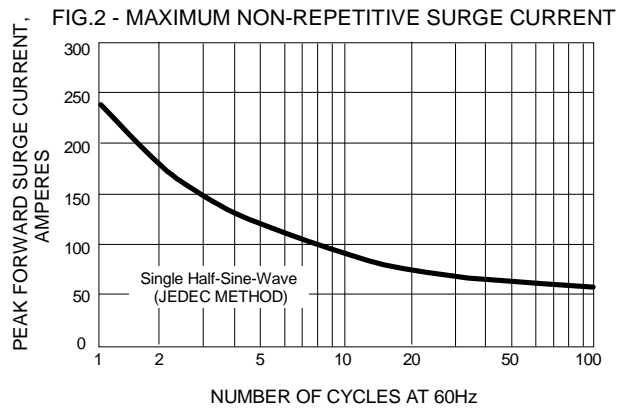
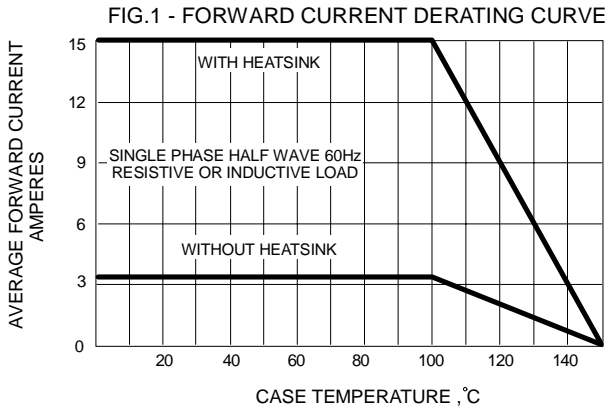


#### MAXIMUM RATINGS AND ELECTRICAL CHARACTERISTICS

Ratings at 25°C ambient temperature unless otherwise specified.  
Single phase, half wave, 60Hz, resistive or inductive load.  
For capacitive load, derate current by 20%

CHARACTERISTICS	SYMBOL	GBJ 15005	GBJ 1501	GBJ 1502	GBJ 1504	GBJ 1506	GBJ 1508	GBJ 1510	UNIT
Maximum Recurrent Peak Reverse Voltage	V <sub>RRM</sub>	50	100	200	400	600	800	1000	V
Maximum RMS Voltage	V <sub>RMS</sub>	35	70	140	280	420	560	700	V
Maximum DC Blocking Voltage	V <sub>DC</sub>	50	100	200	400	600	800	1000	V
Maximum Average Forward (with heatsink Note 2) Rectified Current @T <sub>c</sub> =100°C (without heatsink)	I <sub>(AV)</sub>	15.0 3.2							A
Peak Forward Surge Current 8.3ms single half sine-wave superimposed on rated load (JEDEC METHOD)	I <sub>FSM</sub>	240							A
Maximum forward Voltage at 7.5A DC	V <sub>F</sub>	1.05							V
Maximum DC Reverse Current @T <sub>J</sub> =25°C at Rated DC Blocking Voltage @T <sub>J</sub> =125°C	I <sub>R</sub>	5 500							uA
I <sup>2</sup> t Rating for fusing (t < 8.3ms)	I <sup>2</sup> t	240							A <sup>2</sup> S
Typical Junction Capacitance per element (Note 1)	C <sub>J</sub>	60							pF
Typical Thermal Resistance (Note 2)	R <sub>θJC</sub>	1.5							°C/W
Operating Temperature Range	T <sub>J</sub>	-55 to +150							°C
Storage Temperature Range	T <sub>STG</sub>	-55 to +150							°C

NOTES : 1.Measured at 1.0MHz and applied reverse voltage of 4.0V DC.  
2.Device mounted on 300mm x 300mm x 1.6mm Cu Plate Heatsink.



Note: Specifications are subject to change without notice. For more detail and update, please visit our website.